

LAS-8000 Dual Draft Workstation



The LAS-8000 eliminates harmful fumes while preserving a sterile and rust free workstation using 100% Polypropylene construction. The dual draft workstation (downflow/backflow) is designed for procedures using acids, corrosives and other chemicals unsuitable for stainless steel surfaces. With a wide range of sink, drain and service configurations, the LAS-8000 is ideal for dissection, trimming, staining, and small surgical procedures.

INDUSTRIES SERVED

- Histology
- Veterinary
- Pathology
- Dermatology
- Education

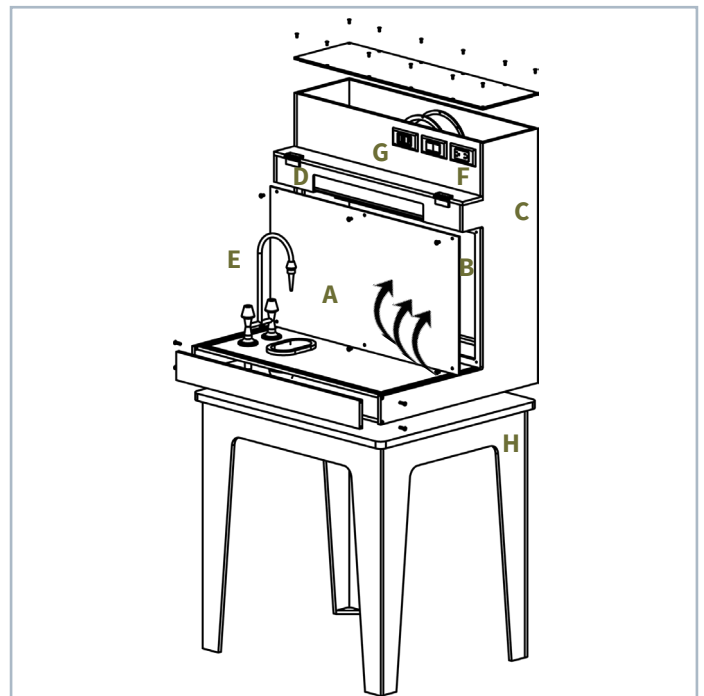
FEATURES

STANDARD FEATURES

- A. Down Draft and Back Draft Ventilation
- B. Activated Carbon Filtration
- C. Rust Free Polypropylene Construction
- D. LED Lighting

OPTIONAL FEATURES

- E. Hand Spray Nozzle and Washdown Services, Custom Sink, Drain and Plumbing Configurations
- F. GFI Outlet
- G. Airflow Speed Controller
- H. Base Cabinet, Table and Cart Supports



9650 Newton Ave. S
Bloomington, MN 55431



877.410.4910



info@labairesystems.com



www.labairesystems.com

LAS-8000 Data Sheet

OVERALL DIMENSIONS

	3 FOOT	4 FOOT	5 FOOT	6 FOOT
Width	34"	46"	58"	70"
Depth	30"	30"	30"	30"
Height	30"	30"	30"	30"

WORK AREA DIMENSIONS

Width	32"	44"	56"	68"
Depth	19 1/2"	19 1/2"	19 1/2"	19 1/2"
Height	18 1/2"	18 1/2"	18 1/2"	18 1/2"

AIRFLOW CHARACTERISTICS

Inflow Velocity	80 fpm	80 fpm	80 fpm	80 fpm
Light Intensity Foot Candles	105	105	105	105
CFM	250	300	350	400

WARRANTY

1 Year Parts Only



9650 Newton Ave. S
Bloomington, MN 55431



877.410.4910



info@labairesystems.com



www.labairesystems.com