

# LAS-803 Adjustable Polypropylene Table

The LAS-803 Table is an excellent choice for a work station that is a rust free option for use with acids, corrosives and other chemicals, unsuitable for stainless steel surfaces. This table would also work well where limited exposed metals are desired.



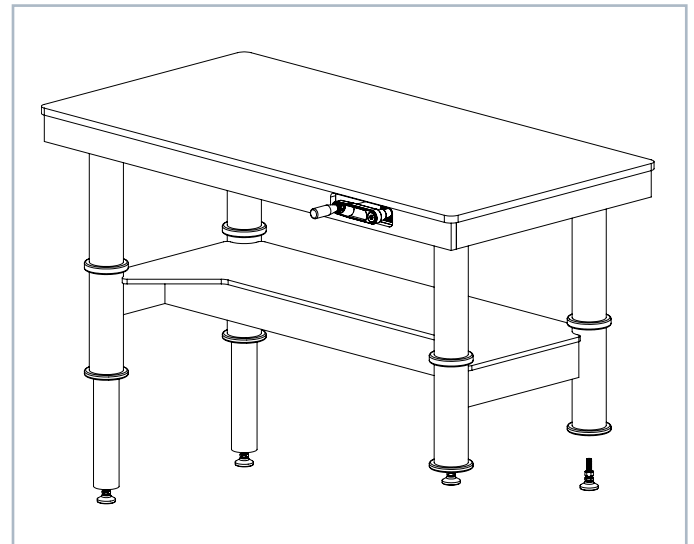
## INDUSTRIES SERVED

Chemical Engineering  
 Semiconductor  
 Water Treatment Facilities  
 Trace Metal Analysis  
 Metallurgy  
 Salt Water and Marine Science  
 Electrical Engineering

## FEATURES

### STANDARD FEATURES

- All Black Polypropylene Construction
- Excellent Chemical Resistance
- Pneumatic 11" Height Adjustment
- Work Heights: Nominal 30" to 42"
- 13" Deep Shelf
- Easy Fold Handle
- Ergonomic and ADA Compliant
- Individual 316 Stainless Steel Leg Levelers
- Work Surface Textured Black HDPE



9650 Newton Ave. S  
 Bloomington, MN 55431



877.410.4910



[www.labairesystems.com](http://www.labairesystems.com)

# LAS-803 Data Sheet

## Model #

### OVERALL DIMENSIONS

#### LAS-803-602430

#### LAS-803-603030

Width	24"	30"
Depth	60"	60"
Height	30" to 42"	30" to 42"

### SHIPPING WEIGHT

24" Work Surface	255 Lbs.
30" Work Surface	285 Lbs.

### WARRANTY

1 Year Parts and Labor

### TESTING

SEFA 8-P-2010



9650 Newton Ave. S  
Bloomington, MN 55431



877.410.4910



[www.labairesystems.com](http://www.labairesystems.com)