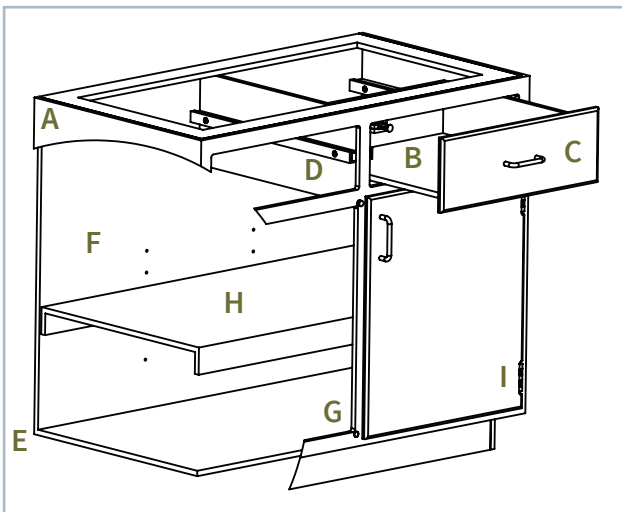


# CASEWORK



## FEATURES



- A. 1/2" Stress Relieved Virgin Polypropylene
- B. Single Piece, Precise Fit Drawers
- C. Quiet Close Drawers and Doors
- D. No Bind, Low Friction Drawer Glides
- E. V-Groove, Fully welded cabinet construction
- F. Removable Access Panel
- G. Fully Recessed Magnetic Closures
- H. Adjustable shelving
- I. Single Piece, Fully Recessed Hinges



9650 Newton Ave. S  
Bloomington, MN 55431



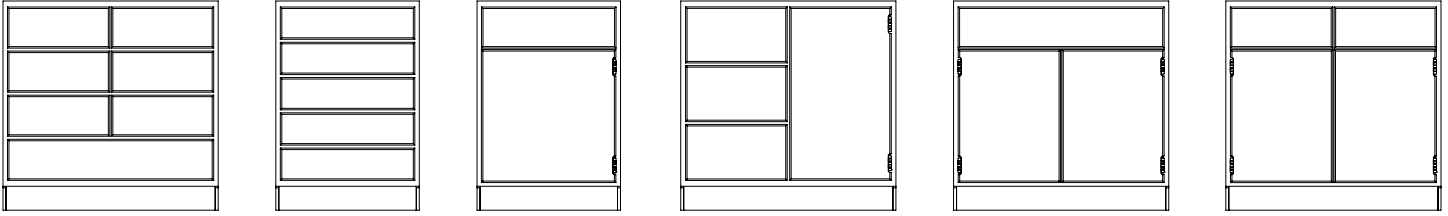
877.410.4910



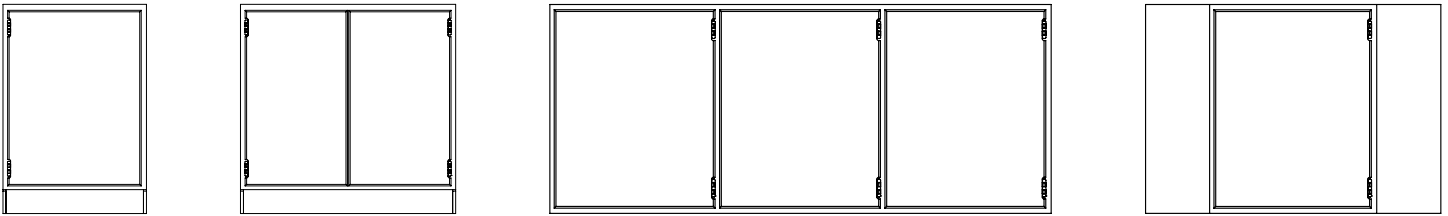
[www.labairesystems.com](http://www.labairesystems.com)

## A complete line of industry standard casework...

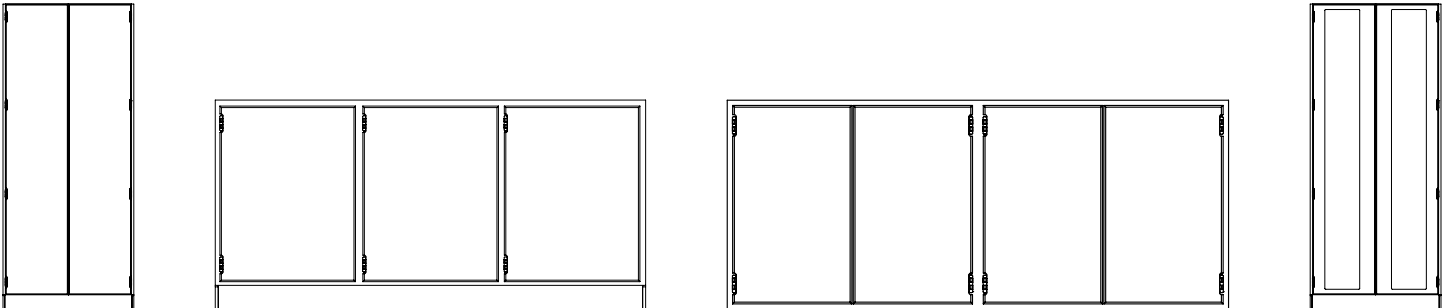
### BASE CABINETY



### WALL CABINETY



### STORAGE & TALL CABINETY



## From Labaire Systems

- More than 40 years of custom plastic and polypropylene fabrication
- Serving the semiconductor, trace metal analysis, water treatment, and marine science industries
- Handcrafted in Minnesota, proudly offering diversified American manufacturing
- Fastest lead times in the industry
- Specializing in custom, design-build solutions

